

NAME:

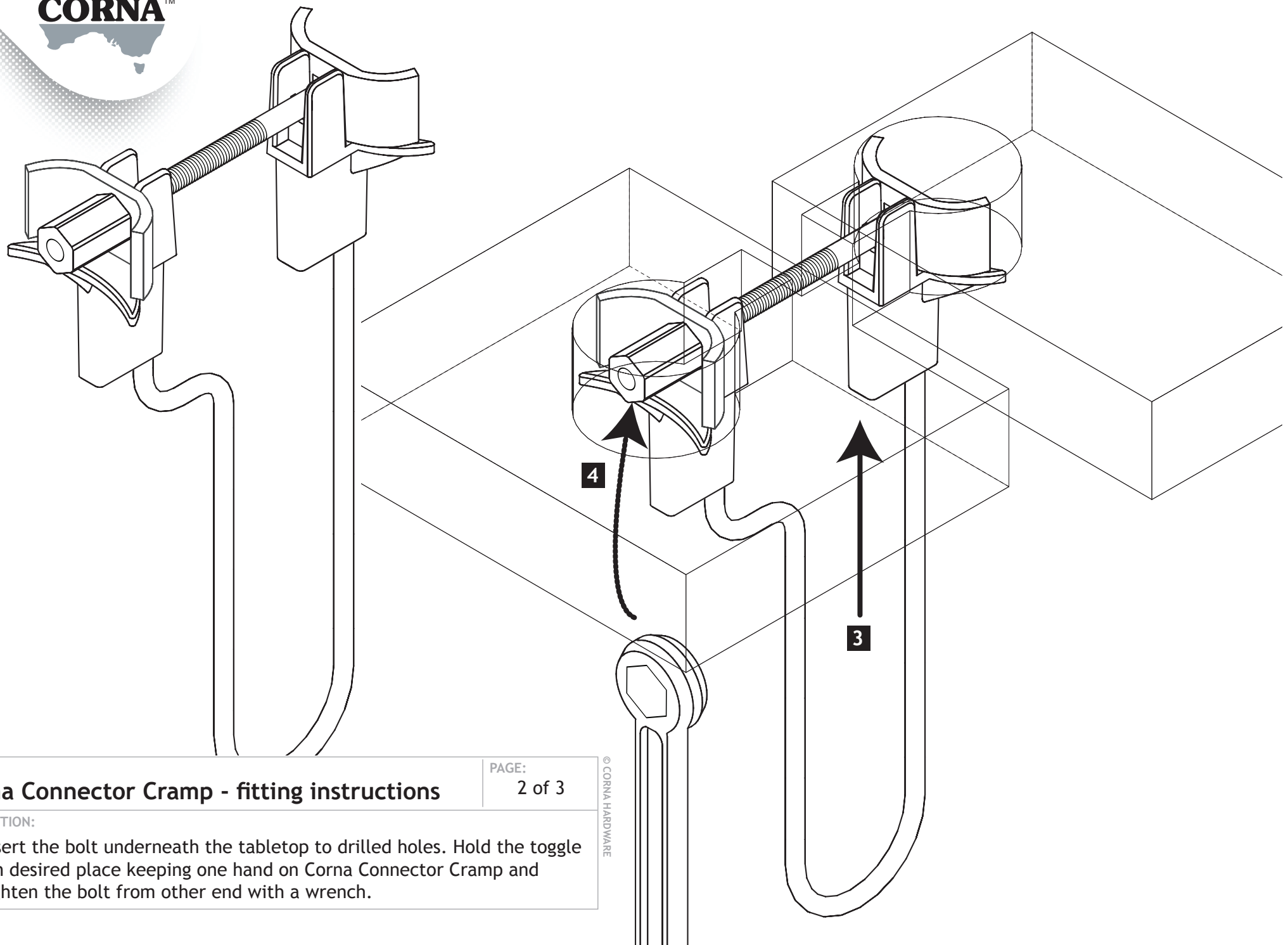
**Corna Connector Cramp - fitting instructions**

PAGE:

1 of 3

DESCRIPTION:

Holds connector for insertion and adjustment. 1.) Squeeze spring action handle and 2.) slide in the bolt. Cramp helps to hold toggles apart, Keeps bolt head in place, Tensions nut for better control.



NAME:

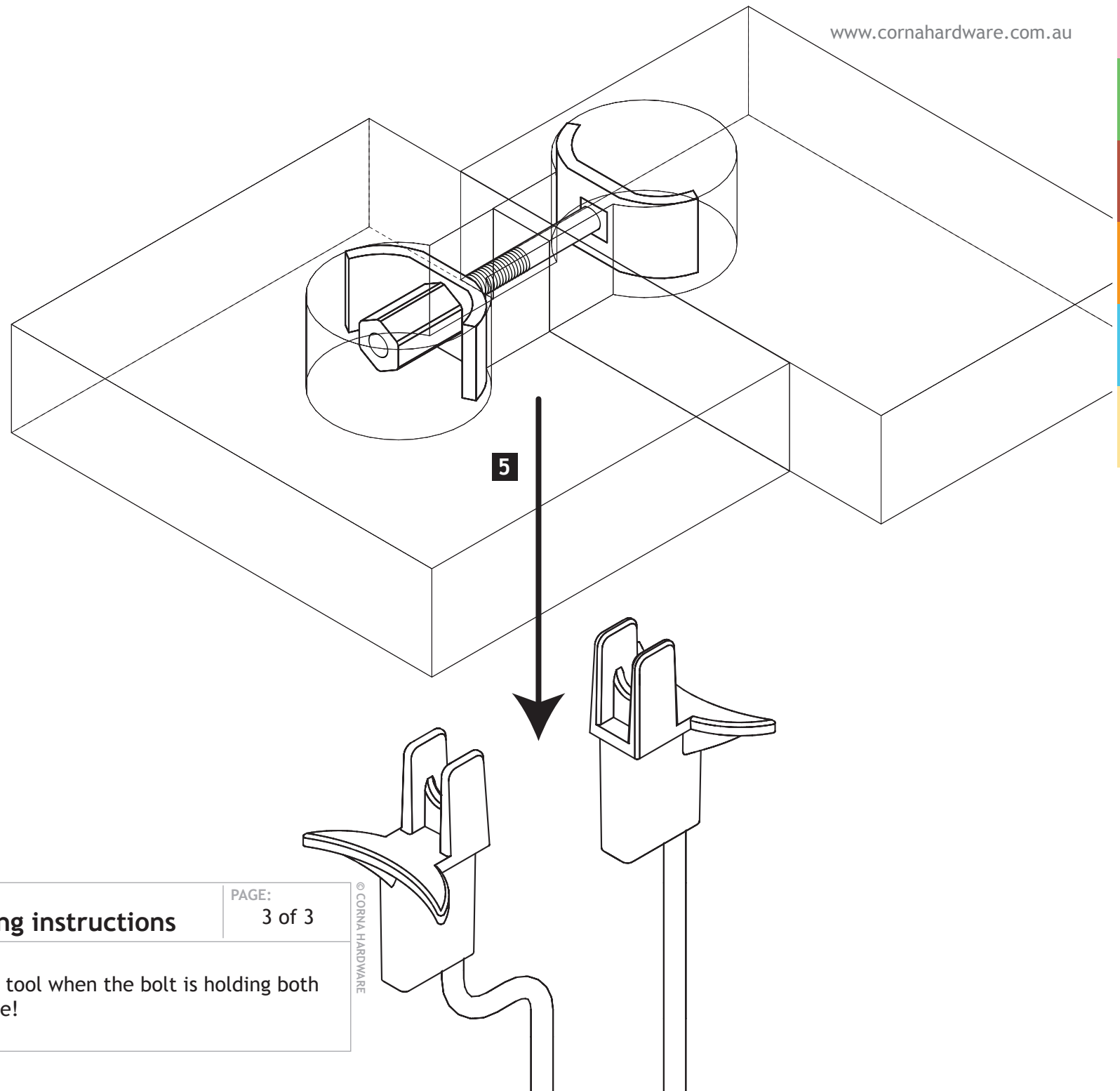
**Corna Connector Cramp - fitting instructions**

PAGE:

2 of 3

DESCRIPTION:

3.) Insert the bolt underneath the tabletop to drilled holes. Hold the toggle bolt in desired place keeping one hand on Corna Connector Cramp and  
4.) tighten the bolt from other end with a wrench.



NAME:

**Corna Connector Cramp - fitting instructions**

PAGE:

3 of 3

DESCRIPTION:

5.) Remove the Corna Connector Cramp tool when the bolt is holding both tabletops tight enough. - The job is done!

© CORNA HARDWARE